

FRONT AXLE SEAL & GASKET SETS



•1/2 Ton WC & VC (8 3/4" diff.)

Includes: (2) inner axle oil seal, (2) front hub seal -(specify VC or WC), (1) 3.5" differential pinion seal, front knuckle felt set, (1) front axle gasket set (includes all gaskets except knuckle cap & flange) Vehicle Type: A
Part #FASGS32 **\$89/set**

•3/4 Ton WC Early (8 3/4" diff.)

Includes: (2) inner axle oil seal, (2) hub seals, (1) differential pinion seal, (1) knuckle felt set, (1) gasket set (includes all gaskets) Vehicle Type: B early
w/Single-Lip Hub Seal Part #FASGSM33 **\$69/set**
w/Double-Lip Hub Seal Part #FASGSM33-D **\$75/set**

•M-37, Civ PW, WC 6x6 & WC 3/4 Ton (Late) (9 5/8" diff.) Front Axle Seal and Gasket Set.

Includes: (2) inner axle oil seal, (2) hub seals, pinion seal (4" diameter), (1) knuckle felt set, (1) gasket set (includes all gaskets) Vehicle Type: (B late),C,D,E,F
w/Single-Lip Hub Seal Part #FASGL31 **\$79/set**
w/Double-Lip Hub Seal Part #FASGL31-D **\$85/set**

New Axle Cover & Differential Housing Gaskets

• Small B-(small differential only)
Vehicle Type: A,(B early)
Replaces CC915098
Part #CC952554 **\$7.50**
• Drive Pinion Carrier Gaskets Large Differential
Vehicle Type: (B late),C,D,E,F
[ORD #7411818]
Replaces CC929879 Part #CC929877 **\$7.50**



New Steering Knuckle Flange Gasket

• Vehicle Type: B,C,D,E,F
[ORD #7348989]
Part #CC924634 **\$5 each**
• Vehicle Type: A
Part #CC915088 **\$5 each**



Knuckle Felt Retainers

•USED Vehicle Type: B,C,D,E,F
[ORD #7348992]
Part #CC925581 **\$15 ea**



New Pinion Flange Nut & Washer Kit
(Nuts are 1 1/8")



NOTE: For use with New CC126559 Ring & Pinion only
Includes: *Setup Nut* (for setting up New ring & pinion), *Washer* (used with both Nuts), *Lock Nut*

Vehicle Type: A,B,C,D,E,F Part #NPFNWK4 **\$12**

Lockout Hubs - Save wear and tear on your front axle. Limited lifetime warranty.



New AVM Heavy Duty Lockout Hubs

Fits WC 3/4 Ton, 1 Ton PW, WC 1 1/2 Ton (6X6) & M-37

-Brushed Stainless Bezel
Part #NAVMB91 **\$195**



New Selectro Lockout Hubs

- W300-1958-68 (Dana 70 , 8 hole, 16 Spline)Part #NSLH36
- W300-1969-74 (Dana 70, 6 hole, 21 Spline) Part #NSLHL37
- M715- Kaiser Jeep (Dana 70, 6 hole, 21 Spline) Part #NSLHL37
- Internal--non flanged Fits W100 1969-71 Part #NOSLH40
- WC 1/2 Ton Part #NSLH39

**DISCONTINUED
DISCONTINUED
DISCONTINUED
DISCONTINUED**

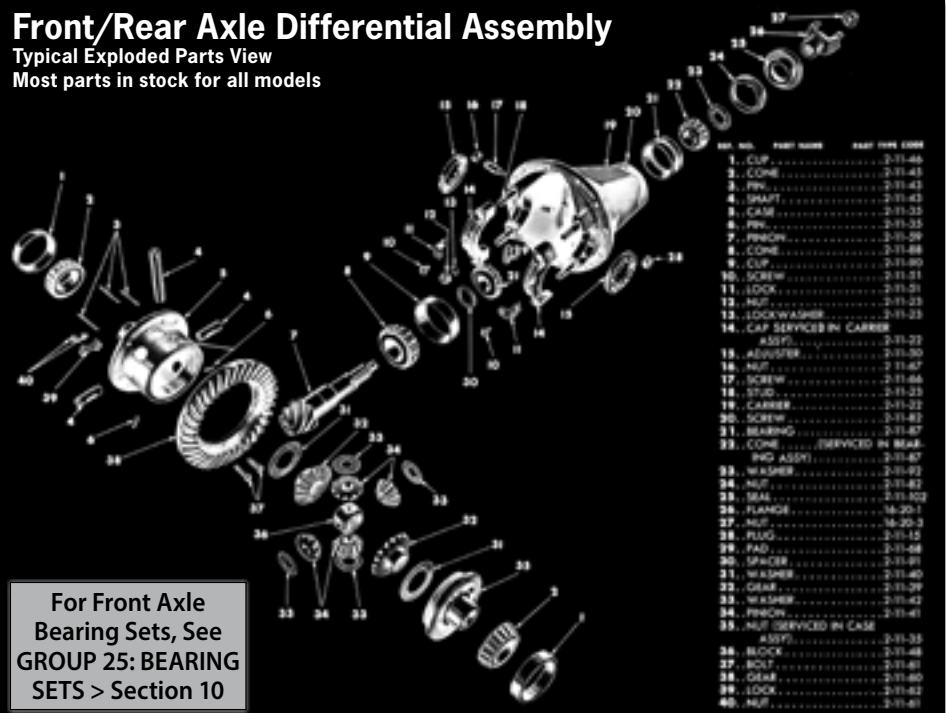


Ring & Pinion Gear Sets

- *New Large 9 5/8", 4:30 ring and pinion set*
Part #CC1265599-430 **PRE-ORDER NEXT PRODUCTION RUN**
- *New Large 9 5/8", 4:89 ring and pinion set*
Part #CC1265599 **PRE-ORDER NEXT PRODUCTION RUN**
- *USED Large 9 5/8" 5:83 Ring and Pinion Set*
Part #CC1057769 **\$550**
VERY LOW STOCK Call for Availability
- *NOS Small 8 3/4" 5:83 for early 3/4 ton WC models*
Part #CC922847 **\$200**

Front/Rear Axle Differential Assembly

Typical Exploded Parts View
Most parts in stock for all models



For Front Axle Bearing Sets, See GROUP 25: BEARING SETS > Section 10

GROUP 10: FRONT AXLE



New Knuckle Felt Set
Vehicle Type: B,C,D,E,F
[ORD #7349109]
Part #CC924635 **4 Piece Set \$24**

New 1/2 Ton Knuckle Felt Set
(1 set does 1 axle)
Vehicle Type: A
Part #CC598836 **8 Piece Set \$28**



New Knuckle Felt Pressure Spring
Vehicle Type: B,C,D,E,F
[ORD #7348995]
Part #CC924636 **\$24 ea**



USED Knuckle Felt Retainer Flanged Joint
[ORD #7348991] Vehicle Type: B,C,D,E,F
Part #CC924638 **\$5 ea**



New Knuckle Felt Joint
Vehicle Type: B,C,D,E,F
Part #CC924637 **\$5 ea**



New Drive Flange Gasket
[ORD #7351041] Vehicle Type: A,B,C,D,E,F
Part #CC915565 **\$2 ea**



New Drive Flange Stud
Vehicle Type: A,B,C,D,E,F
[ORD #7351088] Part #CC916414 **\$3 ea**



New Drive Flange Stud Nut
Vehicle Type: A,B,C,D,E,F
Part #CC125913 **\$2 ea**



New Drive Flange & Differential Carrier Stud Lockwasher (3/8")
Vehicle Type: A,B,C,D,E,F Part #CC120382 **\$0.50 ea**



NOS Differential Gears Repair Kit
Includes: gaskets, spider gears, side gears, pins, etc.

- 8 3/4 Ring Gear (2 Pinion) Vehicle Type: B early Part #CC996420 **\$85**
- 8 3/4 Ring Gear (4 Pinion) Vehicle Type: B Part #CC996431 **\$85**
- 9 5/8 Ring Gear Vehicle Type: (B late),C,D,E,F Part #CC1057780 **\$85**



NOS Differential Side Gear
[ORD #7411919] Vehicle Type: B,C,D,E,F
Part #CC922434 **\$18**



NOS Differential Pinion Spider Gear
Vehicle Type: B,C,D,E,F Part #CC855097 **\$10**



New Conversion Drive Pinion Carrier Stud
For converting small early type axle housing to accept large 9-5/8" differential. Important: Diff. inspection cover must be replaced with late style. Vehicle Type: B,D
Part #CCS9999 **\$5 DISCONTINUED**



Inner Axle Seal
• NOS Vehicle Type: A Part #CC599086 **\$9.50**
• New [ORD #500057] Vehicle Type: B,C,D,E,F Part #CC924432-W **\$12**
• NOS [ORD #500057] Vehicle Type: B,C,D,E,F Part #CC924432-S **Sold Out**



NOS 3-1/2" Drive Pinion Seal (Small)
(8-3/4" small differential, front & rear)
Vehicle Type: A,(B early)
Part #CC856864 **\$15**



New 4" Drive Pinion Seals (Large)
MAY EXPERIENCE STOCK ISSUES
[ORD #7411822]

(9-5/8" large differential, front & rear)
Vehicle Type: (B late),C,D,E,F
New 4" Single-Lip Pinion Seal Part #CC928114 **\$23.50 ea**
New 4" Double-Lip Pinion Seal Part #CC928114-2L **\$59 ea**



Wheel Bearing Seal
• New Front Vehicle Type: A Part #CC915497 **\$10**
• Single Lip (NOS Leather or New Neoprene) Vehicle Type: (A rear only),B,C,D,E,F Part #CC915499 **\$12**
• New Double Lip Vehicle Type: (A rear only),B,C,D,E,F Part #CC915499-D **\$15**



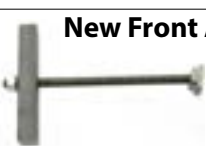
NOS Front Steering Knuckle
• Vehicle Type: A
-Right Part #CC915566 **\$75**
-Left Part #CC915567 **\$75**
• Vehicle Type: B,C,D,E,F
-Right Part #CC924598 **\$95**
-Left Part #CC924599 **\$95**



NOS Front Axle Spindle w/Bushing
• Vehicle Type: B,C,D,E,F Part #CC924580 **SOLD OUT**
• Vehicle Type: A Part #CC915578 **\$75**
• Vehicle Type: H Part #CC1795575 **\$95**



New Spindle Speedi-Sleeve
Vehicle Type: (A-rear only),B,C,D,E,F
Part #SSS00281 **\$90**



New Front Axle Bushing Puller
Vehicle Type: B,C,D,E,F
Part #NBP47 **\$119**



New Wheel Bearing Socket
(8-Sided -3/4" drive.)
Adjusting Nut 2-9/16"
Vehicle Type: A,B,C,D,E,F
Part #CC916083 **\$59**



NOS Ring Gear Nut Lock (6 required.)
Vehicle Type: A,B,C,D,E,F
Part #CC601859 **\$2**



New Differential Thrust Screw & Nut
Vehicle Types: A,B,C,D,E,F
Screw Part #CC856868 **\$28**
Nut Part #CC856869 **\$10**



New Metallic Differential Side Gear Thrust Washer
Vehicle Type: B,C,D,E,F
Part #CC922422-M **\$5 each**

Front Axle Shafts



- WC 1/2 ton right assy Bendix Part #CC915114 **\$150**
- WC 1/2 ton left assy Bendix Part #CC915115 **\$150**
- WC 3/4 & 6x6 right assy Bendix (Also fits Vehicle Type D) Part #CC924244 **\$125**
- WC 3/4 & 6x6 left assy Bendix (Also fits Vehicle Type D) Part #CC924245 **\$125**
- 15-5/8" PW right inner Tracta Part #CC1189230 **\$75**
- 32-7/8" PW left inner Tracta Part #CC1189231 **\$75**
- 15-7/8" M37 right inner Tracta Part #CC1268430 **\$75**
- 29-7/8" M37 left inner Tracta Part #CC1268431 **\$75**
- 8-1/4" M37 & PW outer Tracta Part #CC1189232 **\$75**
- M37, PW, W300 Tracta joint (2 piece)
-USED Part #UTJ1192383 **\$50**
-NOS Part #NTJ1192383 **\$100**
- NOS Inner Front Axle Shafts 1958-68 Dana 70 (23 Spline) Vehicle Type: H
-15-5/8" Right Part #CC1795502 **\$200**
-33" Left Part #CC1795503 **\$200**
- NOS Inner Splined Shaft (Rzeppa) Vehicle Type: A
-Right Part #CC919092 **\$75**
-Left Part #CC919093 **\$75**



NOS Drive Flange Shim
Vehicle Type: A
• .005 Part #CC915580 **\$4**
• .007 Part #CC915581 **\$4**
• .020 Part #CC915582 **SOLD OUT**



New Lower Steering Knuckle Bearing Cap Gasket
[ORD #7348988]
Vehicle Type: B,C,D,E,F
Part #CC924594 **\$1.50**



- Upper Steering Knuckle Flange Bearing Cap Shim**
- New .005 1/2-Ton Vehicle Type: A Part #CC916855 **\$13.50**
 - New .007 1/2-Ton Vehicle Type: A Part #CC916856 **\$13.50**
 - New .020 1/2-Ton Vehicle Type: A Part #CC916857 **\$13.50**
 - New .005 Vehicle Type: B,C,D,E,F [ORD #7348994] Part #CC924591 **\$13.50**
 - New .007 Vehicle Type: B,C,D,E,F [ORD #7349269] Part #CC924592 **\$13.50**
 - New .020 Vehicle Type: B,C,D,E,F [ORD #7349268] Part #CC924593 **\$13.50**



New Lower & Upper Steering Knuckle Bearing Cup
• Vehicle Type: A Part #CC598837 **\$20**
• Vehicle Type: B,C,D,E,F,(G 3500 lb axle only),H Part #CC927013 **\$37**



New Breather Vent [ORD #A196397]
Vehicle Type: A,B,C,D,E,F,(G,H 1957-68)
Part #CC915564 **\$10**

GROUP 10: FRONT AXLE

New Lower Steering Knuckle Flange Cone Bearing



• Vehicle Type: A Part #CC598838 **\$29.50**
 • Vehicle Type: B,C,D,E,F,(G-except 3000 lb axle),H [ORD #705436] Part #CC927014 **\$36**

New 1/2 Ton Steering Knuckle Bushing



(2) required Vehicle Type: A Part #CC915579 **\$28**

New Half-Ton Upper Steering Knuckle Flange Bronze Cone Bearing



Vehicle Type: A Part #CC916060 **\$55**

New Steering Knuckle & Axle Housing Bushing



(4) required on front axle Vehicle Type: B,D,C,E,F [ORD #7351046] Part #CC924249 **\$28**

New Upper Steering Knuckle Flange Bronze Cone Bearing



[ORD #7705714] Vehicle Type: B,C,D,E,F,(G 3,500 lb. axle only),H Part #CC924436, CC1270396 **\$69**

NOS Differential Carrier Cases



• Dana 70 - 23 Spline Vehicle Type: H Part #CC1795161 **\$395**
 • 8 3/4" - 4 Pinion Vehicle Type: B Part #CC927836, CC925727 **\$250**
 • 8 3/4" - 2 Pinion Vehicle Type: A,(B early-front only) Part #CC856853 **\$250**

NOS Differential Carrier Case Cap (not shown)

Vehicle Type: (B late),C,D,E,F Part #CC928302 **\$95**

New W-Series Axle Shaft U-Joints



• Front Axle Shaft (1.06" cap diameter, 2.07" Between Grooves) With inside snap ring (3000 lb Dana 44) Vehicle Type: G 1961-(early)72 Part #WSUJ365 **\$35 CLOSEOUT**

• Front Axle Shaft (1.19" cap diameter, 3.62" Overall Width) With outside snap ring (3500 lb Dana 44) Vehicle Type: G 1961-71 Part #WSUJ231 **\$35 SOLD OUT**

• Front Axle Shaft (1.19" cap diameter, 2.07" Between Grooves) Vehicle Type: G 1969-78 Part #WSUJ371 **\$29 SOLD OUT**

New Front Steering Knuckle Kit



• 3,000 lb Dana 44 (one kit does one side) Includes: Oil Seal Felt-CC1791960; Neoprene OilSeal-CC1791957 & Oil Seal Retainers-(8-bolt)-CC1791958 Vehicle Type: G Part #NFDLK61 **\$49**

NOS Front Steering Felt & Retainer



3,500 lb Dana 44 & 4,500 lb Dana 70 Oil Seal Felt Part #CC1795514 **\$20 each**
 Oil Seal Retainers Part #CC1795512 **\$5 each half**

NOS Dana 70 Differential Carrier Cover Vehicle Type: H Part #CC1795157 **\$45**
Cover Gasket Part #CC2231855 **\$10**

NOS Drive Flange Gasket Vehicle Type: (H 1958-68 only),J (6 hole) Part #CC1795195 **\$2**

New Inner Front Axle Shaft Guide & Seal Vehicle Type: G Part #CC1791964 **\$24**

New Inner Front Axle Shaft Guide Seal Vehicle Type: H Part #CC1795508 **\$22**

New Inner Front Axle Shaft Guide Vehicle Type: H Part #CC1795509 **\$35**

New Steering Knuckle Bushing (dana 70) Vehicle Type: H Part #CC1795578 **\$59**

New Steering Knuckle Bushing (dana 44) Vehicle Type: G Part #CC1791706 **\$28**

New Splined Upper Steering Knuckle Pivot Bushing 3,000 lb. axle only (1959-68) Vehicle Type: G Part #CC2511521 **\$45**

New Keyed Upper Steering Knuckle Pivot Bushing 3,000 lb. axle only (1969-71) Vehicle Type: G Part #CC1924416 **\$45**

New Steering Knuckle Bearing Cup Vehicle Type: G 3,000 lb axle only Part #CC1793515 **\$17.50**

New Lower Steering Knuckle Bearing Cone 3,000 lb. axle only Vehicle Type: G Part #CC1793514 **\$38**

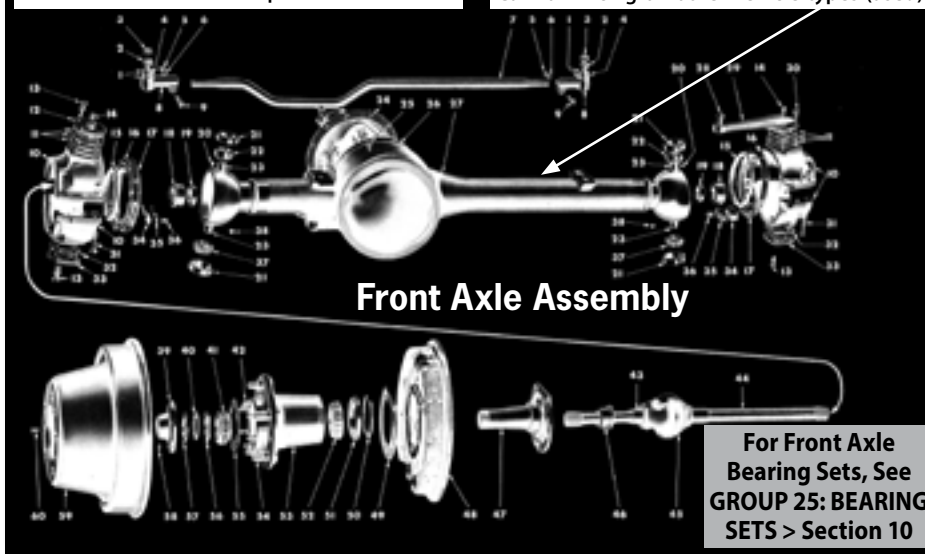
NOS Wheel Bearing Socket 6-Sided, 2-9/16" Adjusting Nut Vehicle Type: H Part #WBNW002 **\$25**

Front Axle Wheel Bearing Seal Vehicle Type: G,H Specify Axle Type **Call for Price & Availability**

New ARB Air Locking Differential Vehicle Type: (B-late),C,D,E,F Also Fits: Vehicle Type B Early w/ modification, & Vehicle Type A w/ modifications & 3/4 ton axle shafts The only air-selectable locking differential that replaces Dodge Corporate 9 5/8" differentials. Part #ARB-PW02 **\$1249 LIMITED STOCK!**
INQUIRE ABOUT NEXT PRODUCTION RUN

Spicer/Dana 44 & Spicer/Dana 70 Front Axle Parts: Prices may be subject to change. Please call us for our most current price on these items.

Front Axle Housing NOS Vehicle Type: A Part #CC915532 **\$350**
 Call for Pricing on other vehicle types (used)



Front Axle Assembly

For Front Axle Bearing Sets, See **GROUP 25: BEARING SETS > Section 10**